

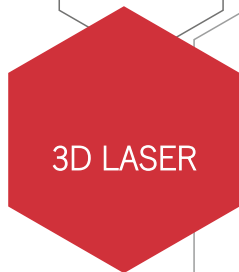
2D i 3D laser cutting

Range of services:

- machining of profiles $\phi 12-250$ mm
- rod weight up to 40 kg / m
- loading length 6.5 m
- unloading length 4.5 m
- 3 kW fiber laser source
- materials: carbon steel, stainless steel, aluminium, copper, brass

Metal sheets parameters

- carbon steel up to 20 mm thickness
- stainless steel up to 15 mm thickness
- aluminium up to 10mm thickness
- max sheet size 4000 x 2000mm

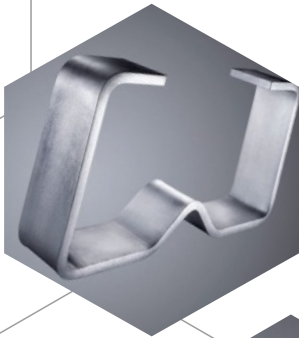


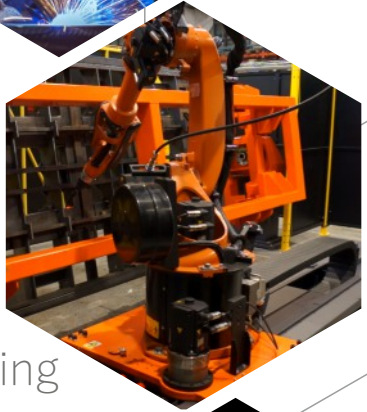
2D i 3D laser cutting

Numerical metal sheet bending

Press brake parameters:

- wide spectrum and multiplicity of pieces geometry
- max bending length 4000mm
- max down stroke force 300 T





Welding and brazing

Methods

MIG / MAG / TIG

Welding with a welding robot

Working area 4x2x2 meters

Manual welding methods

Experienced and certified welders according to
EN ISO 9606-1: 2014-02

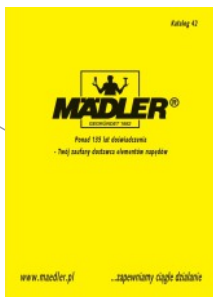


Powder coating

Parameters:

- stove inner dimensions 1600 x 2000 x 7300 depth
- modern two-station pass-through cabin, dimensions: 3300 x 2000 x 1600 depth,
- inside width and height of the door: 1600 x 2000
- pressure washing pass-through station, working dimensions: 1800 x 2000 x 7500 depth
- upper transportation system
- passivation by pressure washing
- phosphate coating





www.maedler.de

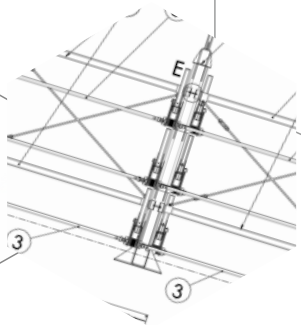
Machine parts

We are the sole agent and exclusive distributor of German company MÄDLER in Poland on Polish market (since 1999). The offer comprises combined over 26 000 elements: standardized parts of machines, drive transmission elements, steering and pneumatic elements.



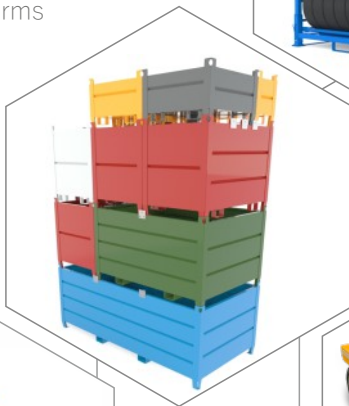
Special projects

- team work of experienced engineers, programmers, logistic and production workers
- design in 3D software and drawing management in PDM
- data management and optimization in EPR system
- reliable and adequate machines
- extensive production area
- certificated by ISO9001- 2015
- some products are proved by TÜV
- experience in international projects
- customisation and individual approach to any implementation



Selected products

- manurack pallets
- pallets for tires
- containers LID
- tilting containers
- containers GO
- containers Stock
- sweepers
- dozer blades
- sand blasters
- platforms
- other



Production facility

Plant in Mielec in Special Economic Zone Euro-park Mielec,
Area 8000 m²



Wojska Polska street 3, 39-300 Mielec

Software



IBM. Notes.



- 2D i 3D laser cutting
- numerical metal sheet bending
- welding and brazing
- powder coating
- special projects
- MÄDLER machine parts
- metal treatment – other services



ALPHA TECHNOLOGY sp. z o.o.

Balicka 182

30-149 Kraków

+48 609 950 164

+48 601 417 088

info@alphatechnology.com.pl

www.alphatechnology.com.pl