



## DIGITAL INDUSTRIES SOFTWARE

# Zel X, a web-based engineering platform from Siemens

Streamline manufacturing, operations, collaboration, design and simulation

### Benefits

- Affordable, web-based app
- Boost proposal win rates and customer satisfaction
- Eliminate manufacturing errors
- Shorten engineering time
- Lower IT costs
- Seamless scalability with proven Siemens technology

### Summary

As a manufacturer, you use CAD and CAM tools to design, develop and manufacture products. But that's just part of what your business does, there are many other tasks required to win new business, satisfy your customers and deliver quality products. Tasks like planning and tracking manufacturing and assembly operations on the shop floor, delivering clear work instructions and routing to shop operators, managing RFQs, organizing projects and team member deliverables, communicating and collaborating with customers and suppliers and a lot more.

These tasks are just as important to your business as your CAD and CAM operations. Yet, if you're like most manufacturers -- you're likely managing these tasks manually -- in emails and spreadsheets, or a patchwork of disconnected point solutions.

**SIEMENS**

[siemens.com/software](https://www.siemens.com/software)

**Features**

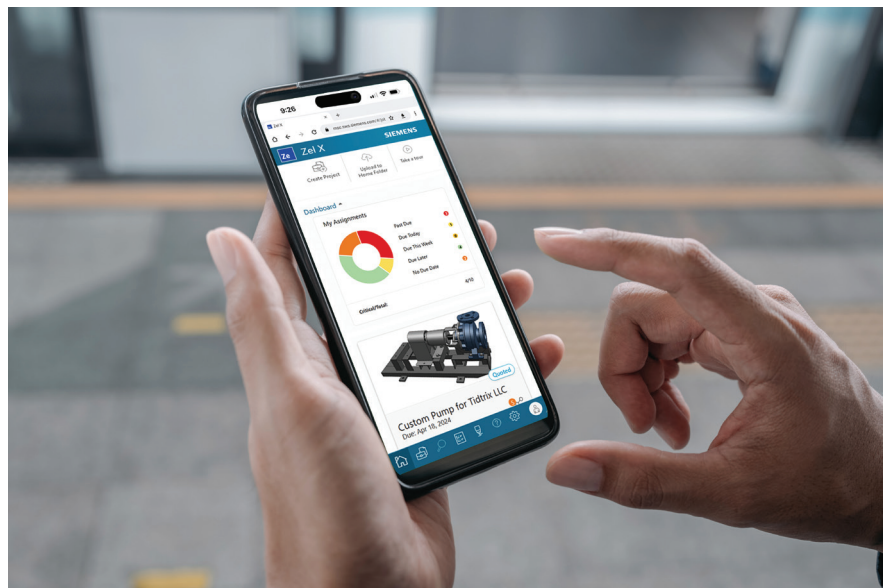
- Plan, execute, and track manufacturing and assembly across the shop floor
- Streamline inbound and outbound requests for quote (RFQ)
- Track jobs and projects from quote to payment
- Leverage model-based CAM and edit G-code from the shop floor
- View, markup and edit CAD models
- AI-based modeling and automated drawings
- Validate and optimize designs with rapid simulation
- Securely share for collaboration at anytime, anywhere, all from any device

Zel X is an affordable, web-based engineering platform that combines manufacturing, operations, collaboration, design and simulation into a comprehensive, lightweight solution that delivers value instantly. This solution is a part of the Siemens Xcelerator portfolio, the comprehensive and integrated portfolio of software and services from Siemens Digital Industries Software.

Zel X enables you to plan, execute and track manufacturing and assembly across the shop floor; streamline inbound and outbound requests for quote (RFQ); track jobs and projects from quote to payment; leverage model-based CAM and edit G-code all from the shop floor; securely share for collaboration at anytime, anywhere, from any device; view, markup and edit CAD models; accelerate design with AI-based modeling and automated drawings; validate and optimize designs with rapid simulation.

**Streamline quoting and gain instant shop floor insight**

Efficiently plan, execute and track your business or department's operations with Zel X. In the professional, secure portal, you can collaborate with customers on inbound quote requests in real-time, and the quoting assistant simplifies quote creation with cost and lead time calculation and PDF export. You can ensure the most competitive pricing by engaging multiple suppliers in outbound RFQs, thanks to the private multi-quote-request system.



With interactive project dashboards, gain real-time monitoring and tracking of project and job statuses. The project Kanban board allows you and your team to simply drag and drop projects to the correct status. Projects can be assigned to specific people, and notes can be added to make sure everyone is aligned and well-informed. Live manufacturing status can also be shared with customers.

The interactive dashboard guarantees all the most pertinent information is available to you in a single, easy-to-find location.

Zel X provides a digitalized process for manufacturing and assembly planning. The repeatable, template-based shop floor planning helps to improve quality and ensure business standards. Upon execution, shop floor specific instructions with notifications are available on any device, making shop operations clear and efficient and modernizing routing and travelers.

**Automate manufacturing operations and adjust setups from anywhere**

Simplified model-based programming makes CAM accessible for designers and engineering personnel on any device with Zel X. You can free up existing licenses of other CAM tools by programming simpler, prismatic parts in Zel X, while also enjoying seamless scalability to industry leading manufacturing solutions from Siemens, such as NX CAM.

Zel X manufacturing capabilities automate 2.5-axis CAM operations including facing, pocketing, contouring, slotting, drilling, tapping, chamfering and boring. The setup customization includes controller selection and custom tool creation, as well as toolpath simulation to meet exact specifications. The browser-based access gives you the flexibility to adapt to machining changes from anywhere and adjust setups or edit G-code as plans change. Mobile 3D model and drawing viewing also gives you the ability to interrogate and validate critical dimensions.

**Share and collaborate from anywhere at any time, from any device**

Unite your entire supply chain with secure cloud storage and data management from Zel X. You can collaborate with team members, colleagues, partners and customers with permission-based sharing and unlimited guest access. The secure, online project storage includes multi-user overwrite protection and 500 GB base plus optional additional





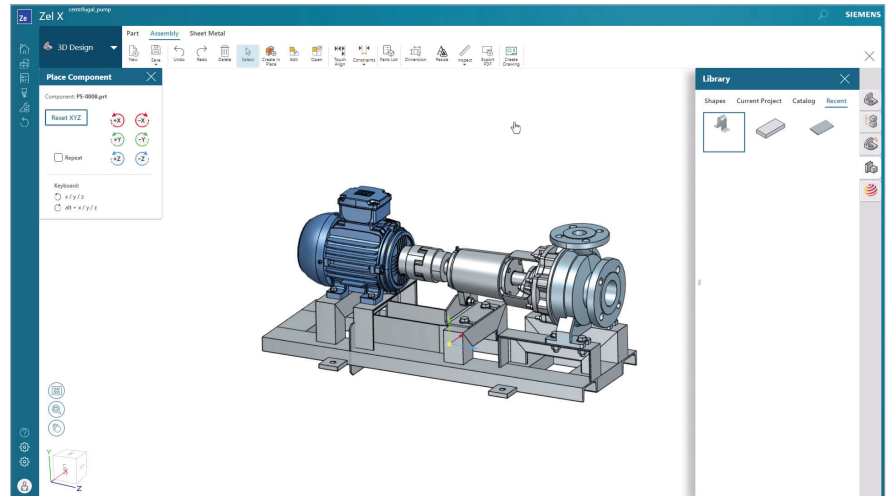
storage, all working around a single source of truth.

CAD view and markup is available on any device, allowing you to view, measure and mark up models in a three-dimensional, engineering-centric space. You can add notes and comments, zoom in and out, rotate and inspect the model. All markups and comments are completely traceable and available within Zel X, granting full visibility into a project's review process. Augmented reality (AR) allows you to view these designs in real-world environments using your smart device, before it is even built.

With Zel X's task management, you can set due dates, prioritization and reference project files to efficiently manage and track deliverables. The task Kanban board allows easy management and tracking of who is doing what, by when and in what order; completed tasks are communicated immediately with notification. Projects and tasks can also be opened with Siemens Teamcenter Share for further collaboration and scalability.

### Accelerate design with AI-based modeling and automated drawings

Streamline 3D CAD modeling for quoting, manufacturing and fixture design with Zel X's AI-predictive direct modeling and automated 2D drawing creation. AI-predictive modeling recognizes design intent on the fly, perfect for working with imported CAD data, or to rapidly create new concept designs, and easily respond to change requests.



Zel X CAD capabilities provide CAD for both designers and sales engineers to quickly create designs, modify existing models or make changes to proposals. Open and modify models from other CAD systems including NX, Solid Edge, SolidWorks, Inventor and Creo, or design your own parts and assembly models using shape and part libraries.

With industry leading Siemens sheet metal technology, create accurate 3D models of sheet metal parts and assemblies with automated flat patterns, and export DXF profiles for manufacture.

### Optimize designs with powerful simulation on any device

With simulation tools specifically for designers, Zel X helps you validate material choices and mechanical performance early in the design process. Near instant simulation of parts under various stresses automatically creates and updates the results displayed on the 3D model, enabling simulation-driven design.

Visualized results include stress, displacement, factor of safety and natural frequency. Loads, constraints and material types (both library and user-defined) can also be used for the linear static analysis. Leveraging the power of the cloud, Zel X delivers powerful, reliable simulation results on any device and is compatible with Siemens Simcenter.

### Extending value

Leverage Siemens' cross-domain expertise with the right-sized functionality of Zel X. Zel X consolidates manufacturing, operations, collaboration, design and simulation into a comprehensive, lightweight solution that delivers value instantly.

Built on established Siemens Xcelerator platform technologies, Zel X allows users to easily interact with other companies using Siemens software and allows for seamless scalability beyond Zel X. Users can maintain their design data and leverage it across the entirety of the portfolio, including NX, Teamcenter, Solid Edge, Simcenter and more.

Zel X's browser-based interface allows distributed teams and supply chains to work together easily, anywhere, from any device.

Zel X runs instantly on your existing hardware – PCs, Chromebooks, MacBooks, tablets, Androids, iPhones – letting you get the job done from wherever your work takes you – the office, shop floor, home or customer site. Updates are automatically delivered in real time without expensive, time-consuming upgrades or any additional IT costs.

Zel X comes in two affordable subscription options – Standard and Advanced – so you can pick the plan that fits your needs and gives you the features you want.

Zel X Standard offers the core tools needed for quoting, planning, designing, preparing for machining – and much more; while Zel X Advanced takes those tools and adds more data management options and simulation, and expands design into assembly and history-based modeling.

**Siemens Digital  
Industries Software**  
**siemens.com/software**

Americas  
1 800 498 5351

Europe  
00 800 70002222

Asia-Pacific  
001 800 03061910

For additional numbers, click [here](#).

© 2024 Siemens. A list of relevant Siemens trademarks can be found [here](#). Other trademarks belong to their respective owners.

86090-D2 6/24 H